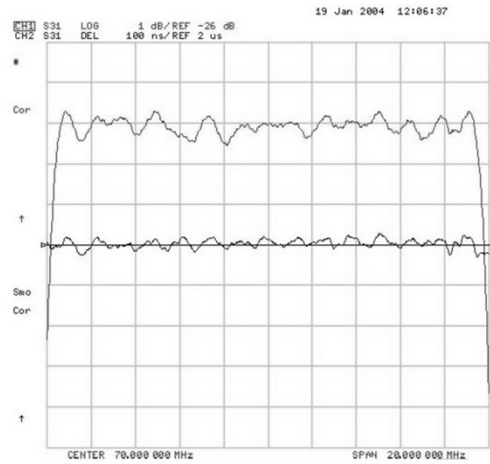
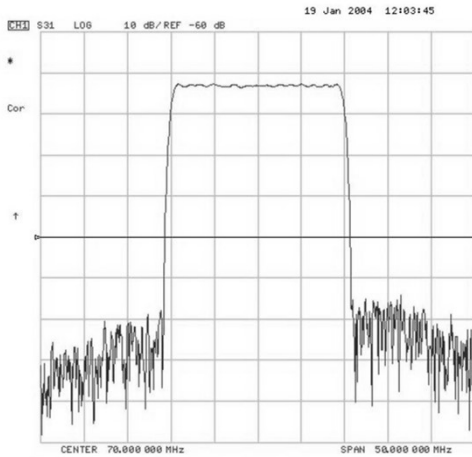


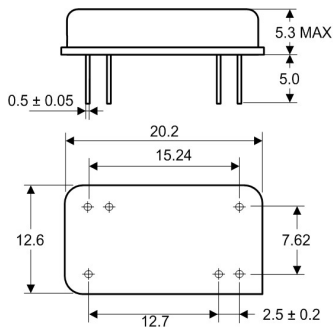
Typical Performance



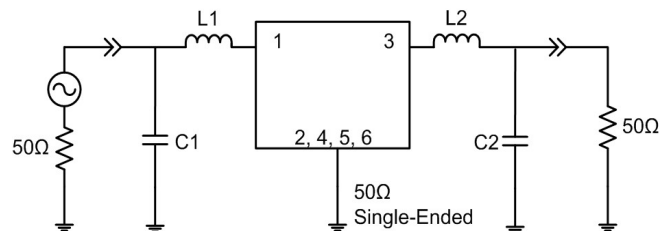
Specification

Index	Unit	Min	Typical	Max
Center Frequency	MHz	69.94	70.00	70.06
Insertion Loss	dB	-	24.0	26.0
1 dB Bandwidth	MHz	19.00	19.18	-
3 dB Bandwidth	MHz	19.50	19.62	-
40 dB Bandwidth	MHz	-	21.43	21.70
Amplitude Ripple	dB	-	0.8	1.0
Group Delay Variation	nsec	-	30	80
Absolute Delay	µsec	-	1.98	-
Ultimate Rejection	dB	-	-	-
Package	mm ²	20.2x12.6		
Substrate Material		LN		
Temperature Coefficient	ppm/°C			

Package Dimension



Matching Configuration



- 3: Balanced Input + or single ended Input
- 4: Balanced Input - or single ended Input Ground
- 1: Balanced Output + or single ended Input Output
- 6: Balanced Output - or single ended Output Ground

L1=150nH, L2=220nH, C1=43pF, C2=43pF
Source / Load Impedance = 50Ω
Ambient Temperature = 25°C

Email: sales@sawtron.com | Tel: 1-858-674-6434 | Fax: 1-619-374-7262