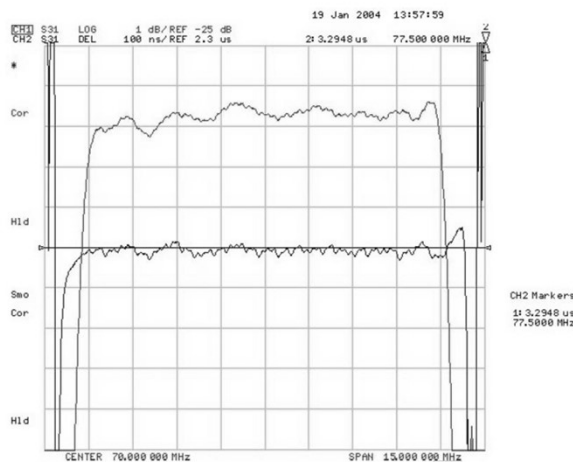
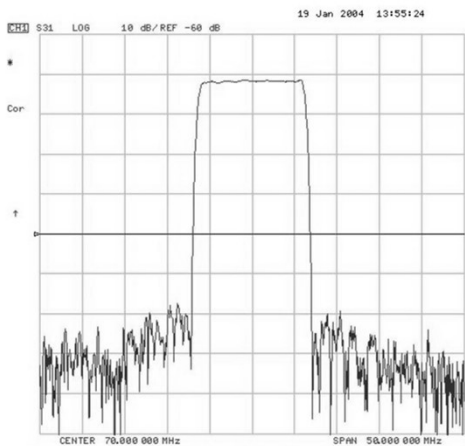


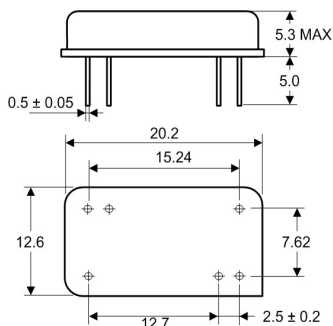
### Typical Performance



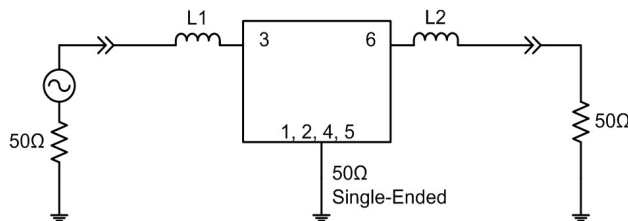
### Specification

Index	Unit	Min	Typical	Max
Center Frequency	MHz	69.90	70.00	70.10
Insertion Loss	dB	-	23.0	26.0
1 dB Bandwidth	MHz	11.60	12.01	-
3 dB Bandwidth	MHz	12.10	12.39	-
40 dB Bandwidth	MHz	-	13.87	14.50
Amplitude Ripple	dB	-	0.8	1.0
Group Delay Ripple	nsec	-	40	70
Absolute Delay	µsec	-	2.28	-
Ultimate Rejection	dB	-	-	-
Package	mm <sup>2</sup>	20.2x12.6		
Substrate Material		LN		
Temperature Coefficient	ppm/°C			

### Package Dimension



### Matching Configuration



- 3: Balanced Input + or single ended Input
- 4: Balanced Input - or single ended Input Ground
- 1: Balanced Output + or single ended Input Output
- 6: Balanced Output - or single ended Output Ground

L1=150nH, L2=3.3nH  
Source / Load Impedance = 50Ω  
Ambient Temperature = 25°C

Email: sales@sawtron.com | Tel: 1-858-674-6434 | Fax: 1-619-374-7262