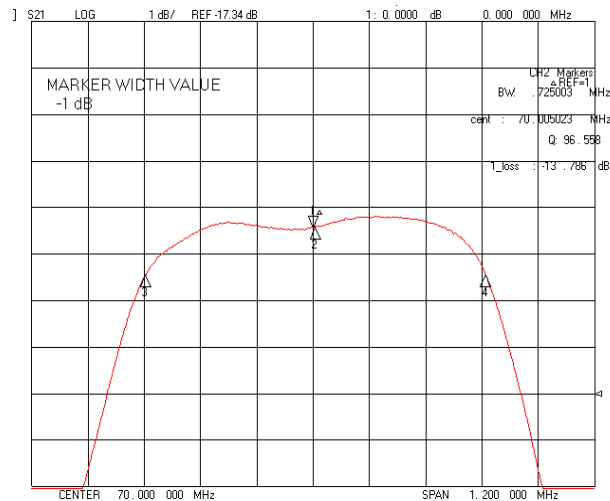
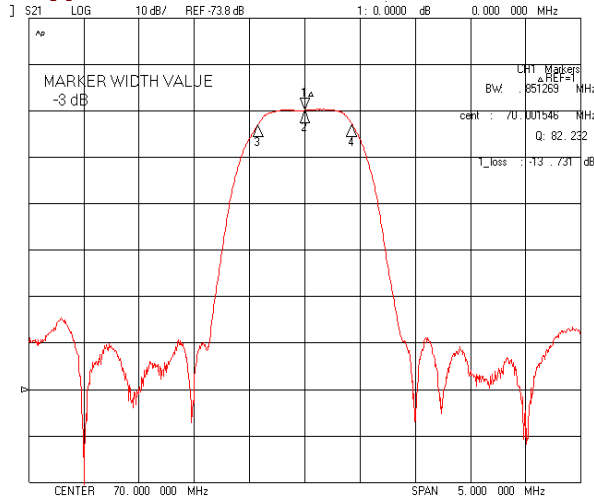


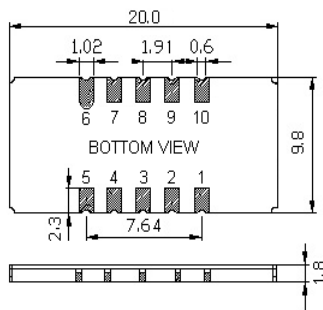
Typical Performance



Specification

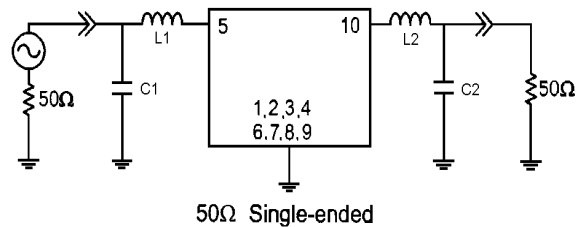
Index	Unit	Min	Typical	Max
Center Frequency	MHz	69.92	70.00	70.08
Insertion Loss	dB	-	14.00	16.00
1 dB Bandwidth	MHz	-	0.72	-
3 dB Bandwidth	MHz	0.70	0.85	-
40 dB Bandwidth	MHz	-	1.61	1.80
Amplitude Ripple	dB	-	0.65	1.00
Group Delay Variation (at 600 kHz B)	nsec	-	150	250
Absolute Delay	usec	-	2.18	-
Ultimate Rejection	dB	40	43	-
Temperature Coefficient of Frequency	ppm/°C	-	-0.032	-

Package Dimension



5 : Input , 6 : In-Gnd
10 : Output , 1 : Out-Gnd
2,3,4,7,8,9 : Case Gnd

Matching Configuration



L1 = 270 nH, L2 = 330 nH, C1 = 82 pF, C2 = 47 pF
Source / Load Impedance = 50 Ω
Ambient Temperature = 25°C

Typical Performance

