

**SAW Filter Measurement Report**  
**SF4651**  
**(70MHz 0.35MHz BW SAW Filter)**

Aug 29, 2019  
Kevin Baek, Ph. D

SAWTRON Inc.  
TEL : 1-858-674-6434  
Fax : 1-619-374-7262  
Email : kevin@sawtron.com



# SF4651

## ♣ Specifications

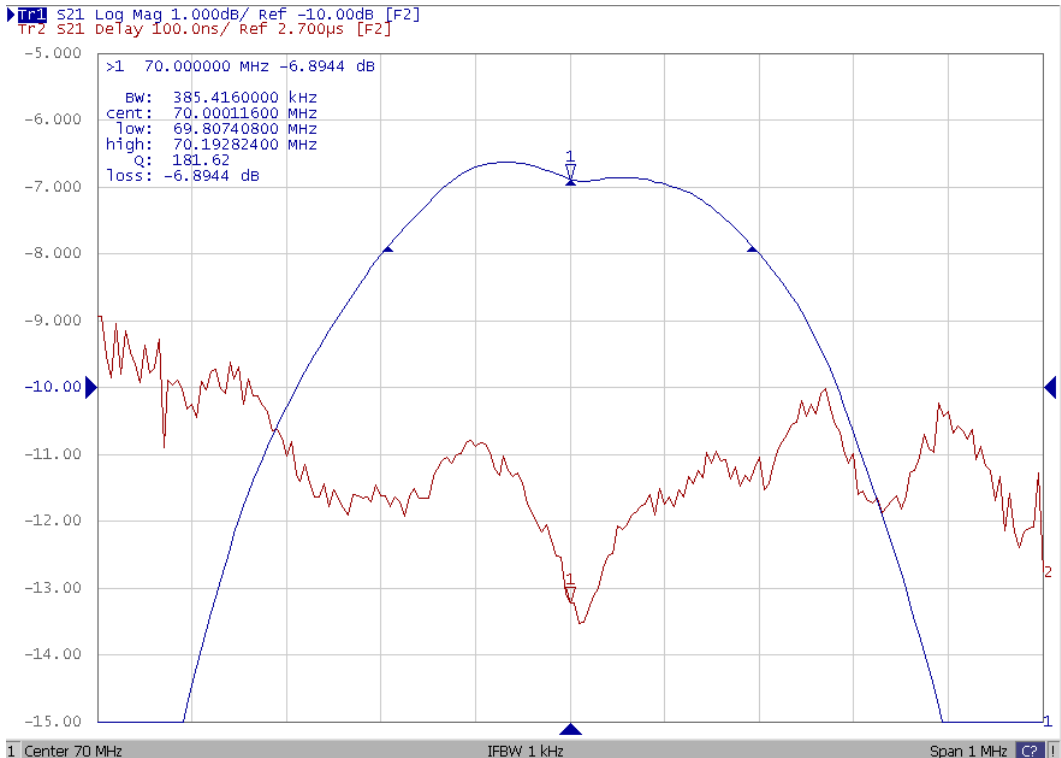
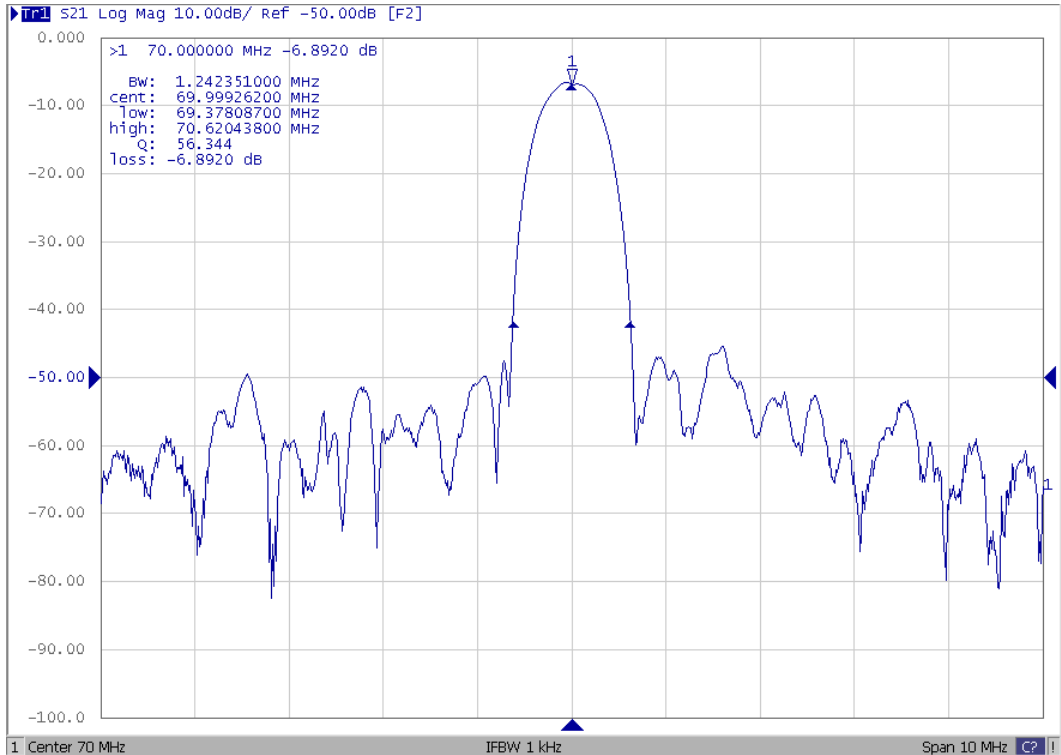
- SAWTEK 854651 Replacement

	Unit	Min	Typical	Max	Comments
Center Frequency, Fc	MHz		70		
Insertion Loss (IL) at Fc	dB		7.0	8.0	
1dB Bandwidth	MHz	0.35	0.38		
3dB Bandwidth	MHz	0.5	0.55		
35dB Bandwidth	MHz		1.24	1.4	
Amplitude Ripple	P-P dB		0.67	1.0	at Fc $\pm$ 0.15MHz
Group delay Variation	P-P nsec		270	500	at Fc $\pm$ 0.15MHz
Phase Linearity	P-P deg		3.5	6.75	at Fc $\pm$ 0.15MHz
Absolute Group Delay	us		2.37		
Temp Coefficient	PPM/ $^{\circ}$ C <sup>2</sup>		-0.036		
In/Out Return Impedance	Ohm	50ohm-50ohm Unbalance			
Package	mm <sup>3</sup>	19.0x6.5x2.0			

# SF4651

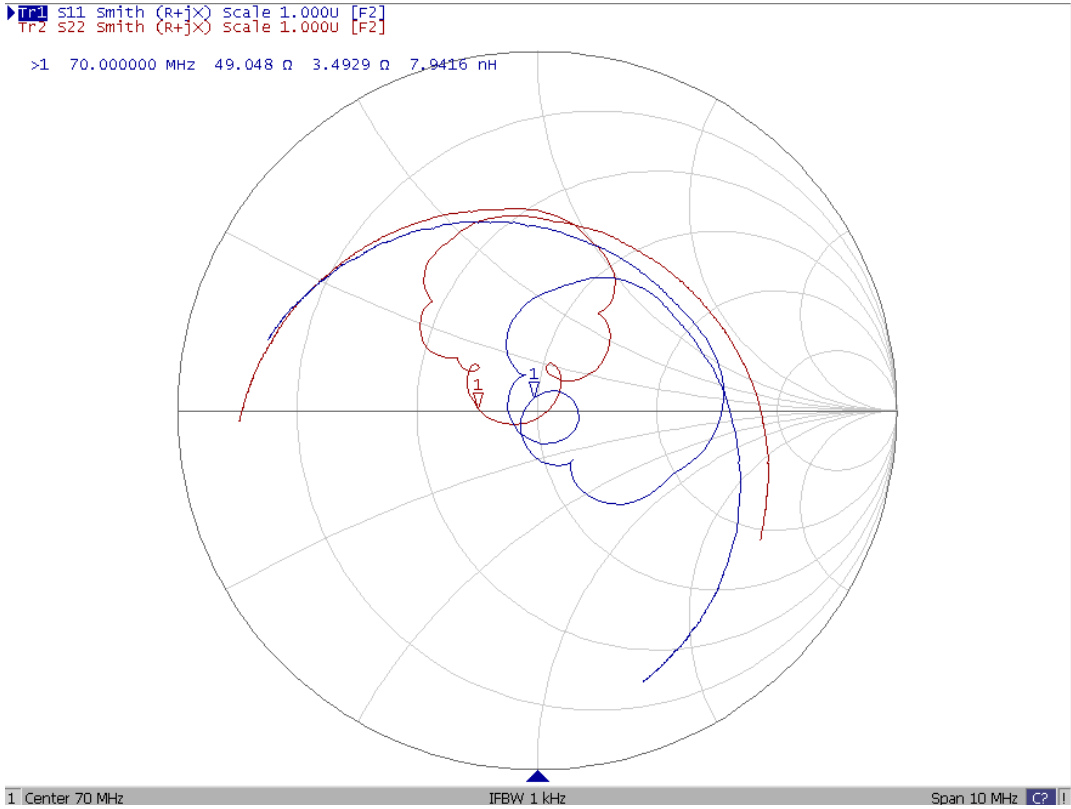


## Frequency response



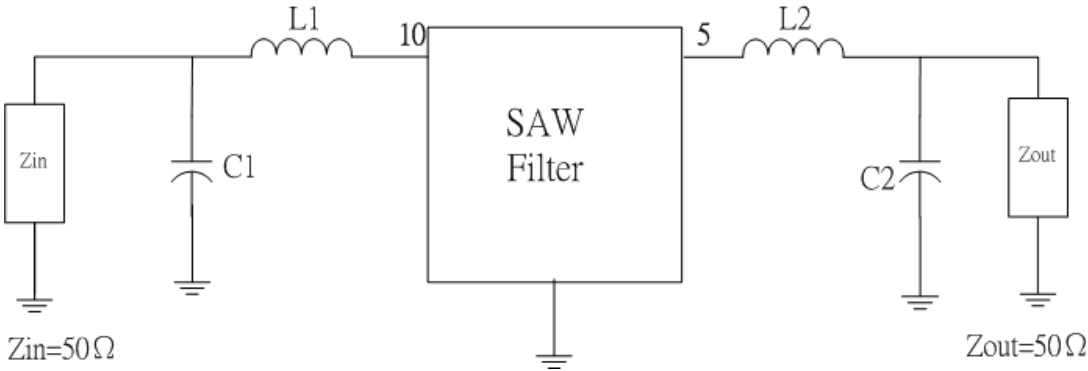
# SF4651

## ♣ Frequency response



**SF4651**

♣ Matching Circuit

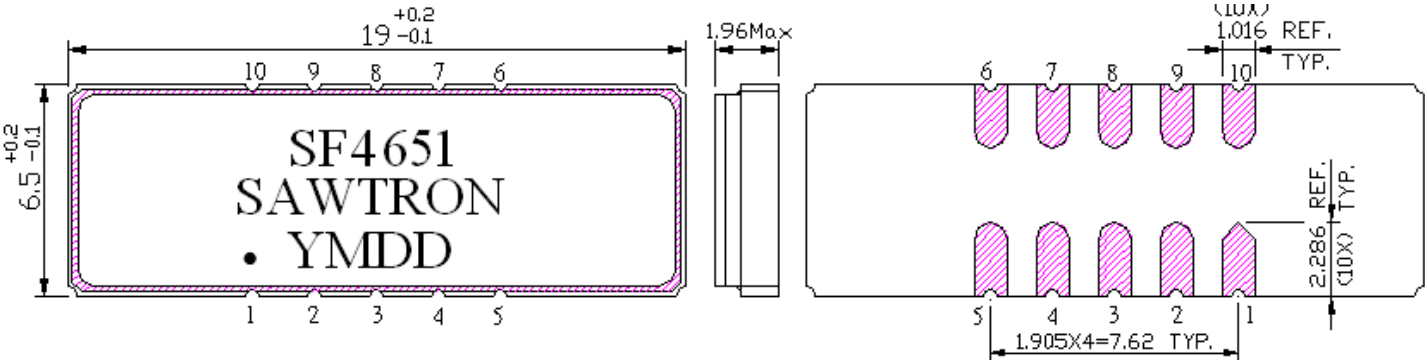


$L1=330\text{nH}+36\text{nH}$   $L2=390\text{nH}$   $C1=56\text{pF}$   $C2=56\text{pF}$

**SF4651**

PKG 19x6.5 mm<sup>2</sup>

Input + : 10  
Output + : 5  
Ground : others



All tolerances are ±0.15mm