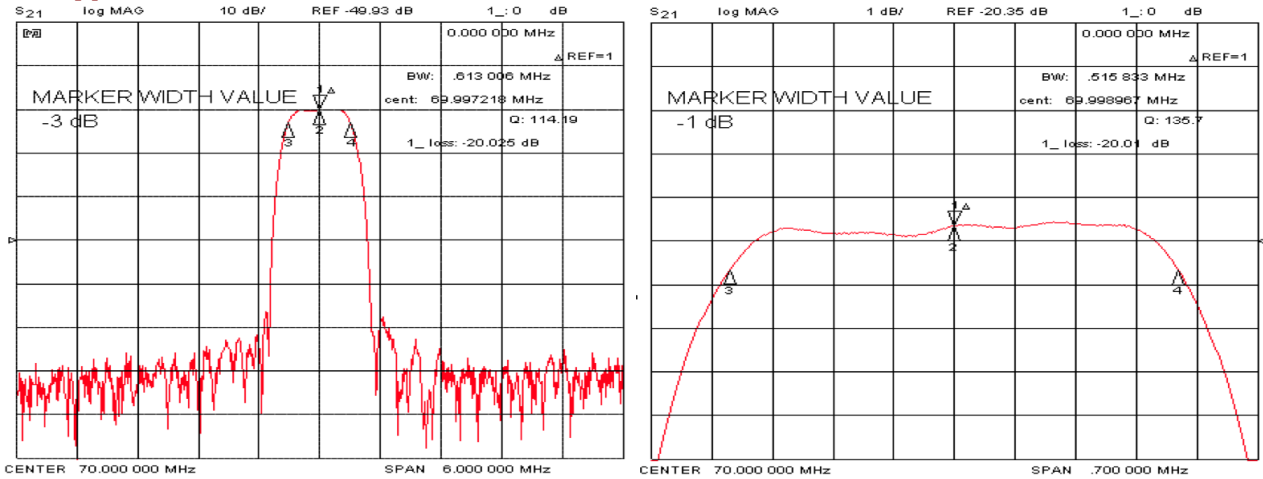


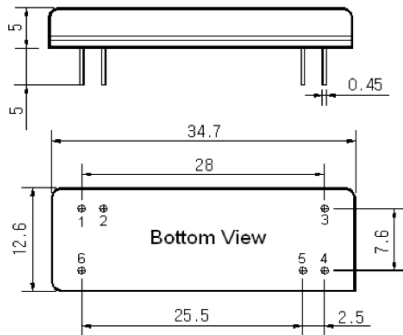
Typical Performance



Specification

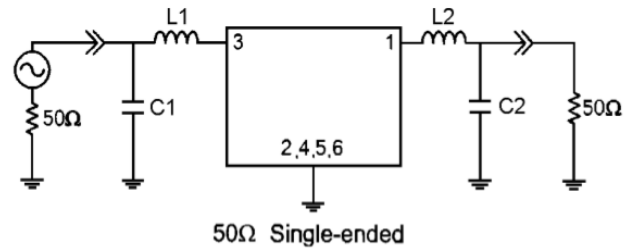
Index	Unit	Min	Typical	Max
Center Frequency	MHz	69.90	70.00	70.10
Insertion Loss	dB	-	20.2	23.5
1 dB Bandwidth	MHz	0.40	0.51	-
3 dB Bandwidth	MHz	-	0.61	-
45 dB Bandwidth	MHz	-	0.99	1.10
Passband Ripple (Fc \pm 0.2 MHz)	dB	-	0.55	1.20
Group Delay Variation	nsec	-	280	400
Absolute Delay	μ sec	-	4.70	-
Ultimate Rejection	dB	42	47	-
Package	mm ²	34.7 x 12.6 x 5		
Substrate Material		Quartz		
Temperature Coefficient	ppm/ $^{\circ}$ C	-0.03		

Package Dimension



Input: 3
Output: 1
Other Pins: Ground

Matching Configuration



L1 = 100 nH, L2 = 100 nH, C1 = 62 pF, C2 = 82 pF
Source / Load Impedance = 50 Ω
Ambient Temperature = 25 $^{\circ}$ C