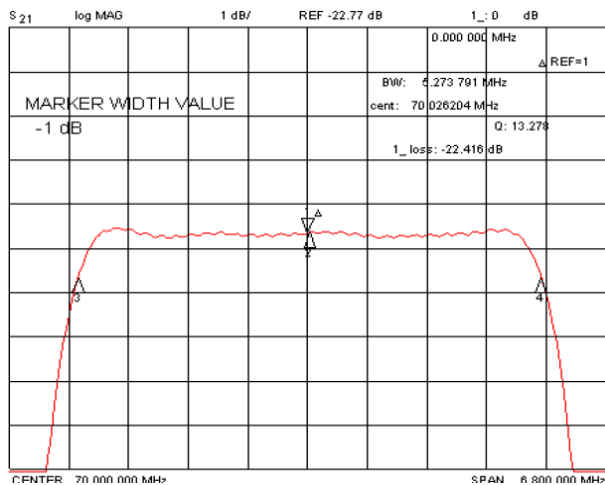
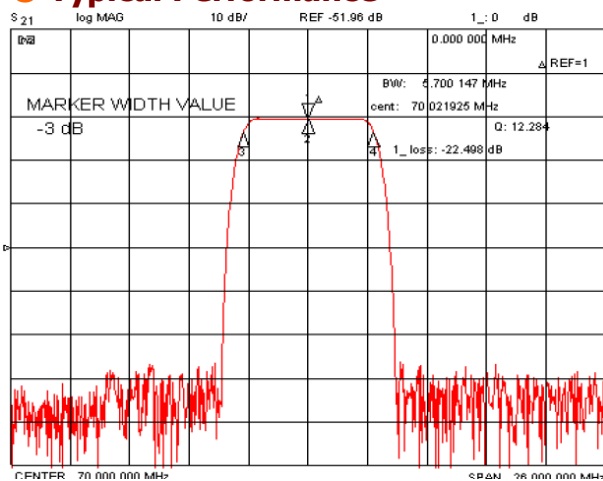


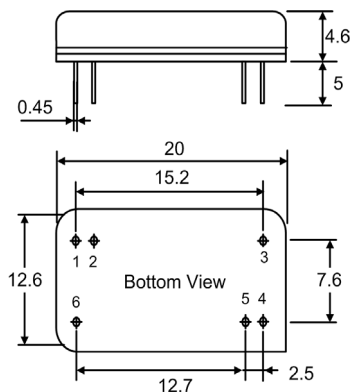
### Typical Performance



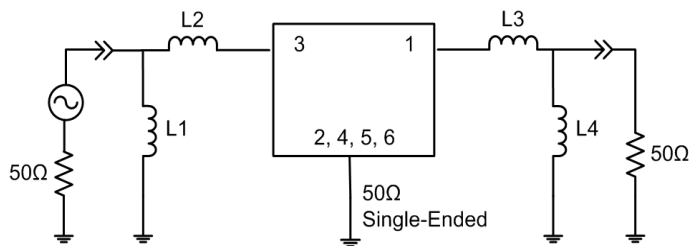
### Specification

Index	Unit	Min	Typical	Max
Center Frequency	MHz	69.92	70.00	70.08
Insertion Loss	dB	-	22.5	25.0
1 dB Bandwidth	MHz	5.00	5.27	-
3 dB Bandwidth	MHz	-	5.70	-
40 dB Bandwidth	MHz	-	7.36	7.50
Passband Ripple	dB	-	0.30	1.00
Group Delay Variation	nsec	-	50	100
Absolute Delay	µsec	-	2.92	-
Ultimate Rejection	dB	50.00		
Package	mm <sup>2</sup>	20.0 x 12.6		
Substrate Material		122-LiTaO <sub>3</sub>		
Temperature Coefficient	ppm/°C	-20		

### Package Dimension



### Matching Configuration



L1=L3=100nH, L2=82nH, L4=120nH  
Source / Load Impedance = 50Ω  
Ambient Temperature = 25°C