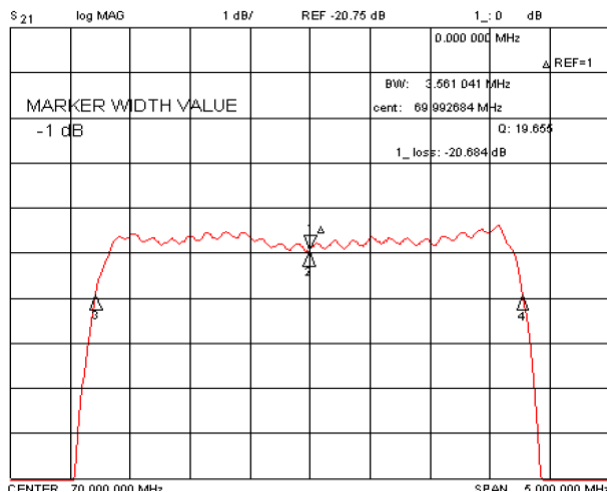
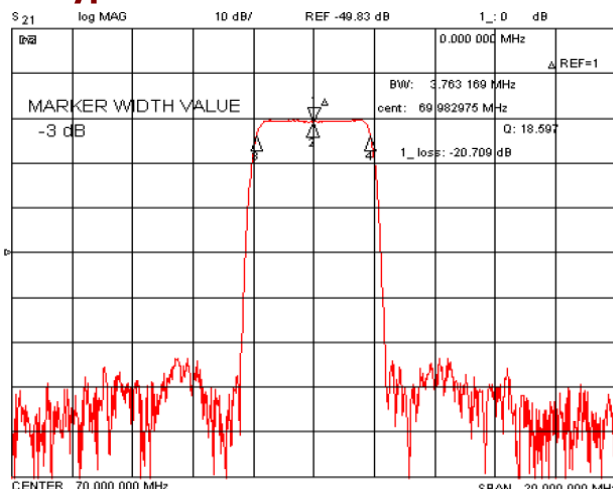


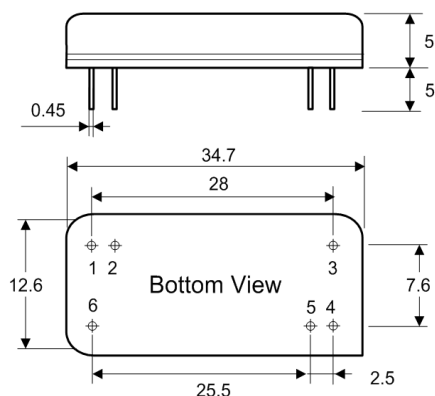
Typical Performance



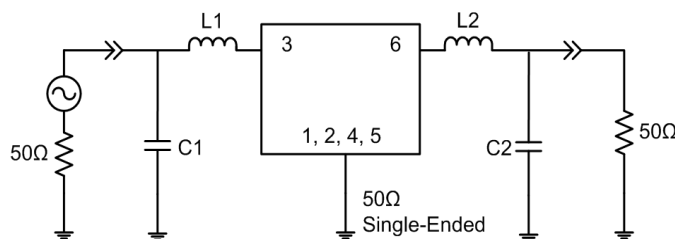
Specification

Index	Unit	Min	Typical	Max
Center Frequency	MHz	69.92	70.00	70.08
Insertion Loss	dB	-	20.7	23.0
1 dB Bandwidth	MHz	3.45	3.56	-
3 dB Bandwidth	MHz	-	3.76	-
40 dB Bandwidth	MHz	-	4.62	4.75
Passband Ripple	dB	-	0.56	1.00
Group Delay Variation	nsec	-	150	250
Absolute Delay	µsec	-	3.27	-
Ultimate Rejection	dB	25.00		
Package	mm ²	34.7 x 12.6		
Substrate Material		122-LiTaO ₃		
Temperature Coefficient	ppm/°C	-20		

Package Dimension



Matching Configuration



L1=L2=68nH, C1=91pF, C2=110pF
Source / Load Impedance = 50Ω
Ambient Temperature = 25°C