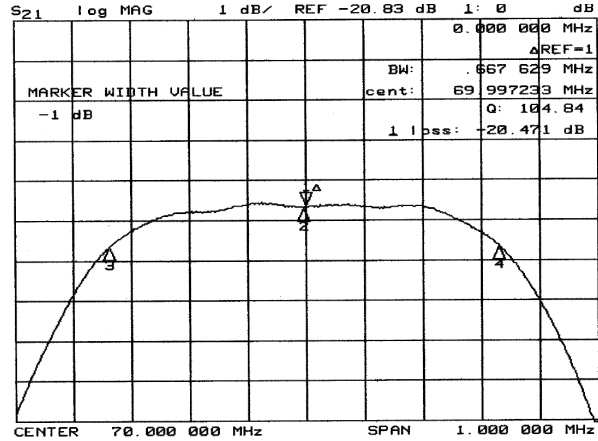
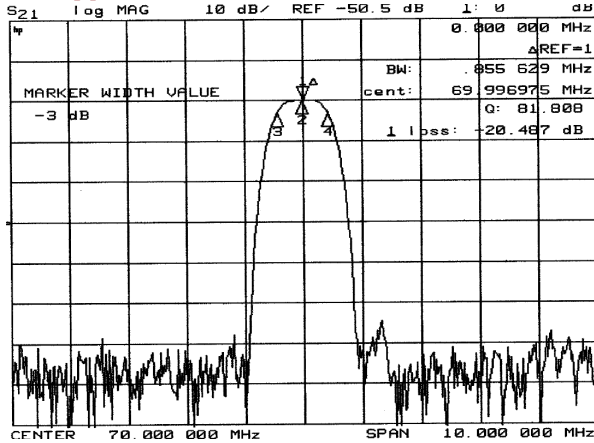


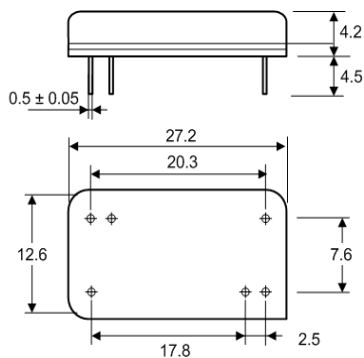
Typical Performance



Specification

Index	Unit	Min	Typical	Max
Center Frequency	MHz	69.92	70.00	70.08
Insertion Loss	dB	-	20.5	22.0
1 dB Bandwidth	MHz	0.58	0.65	-
3 dB Bandwidth	MHz	0.75	0.85	-
40 dB Bandwidth	MHz	-	1.68	2.00
Passband Ripple	dB	-	0.30	0.50
Group Delay Variation	nsec	-	150	300
Absolute Delay	μsec	-	3.50	-
Ultimate Rejection	dB	50	60	-
Substrate Material	-	Quartz		
Temperature Coefficient	ppm/°C	-0.03		
Package	mm	27		

Package Dimension



Matching Configuration

