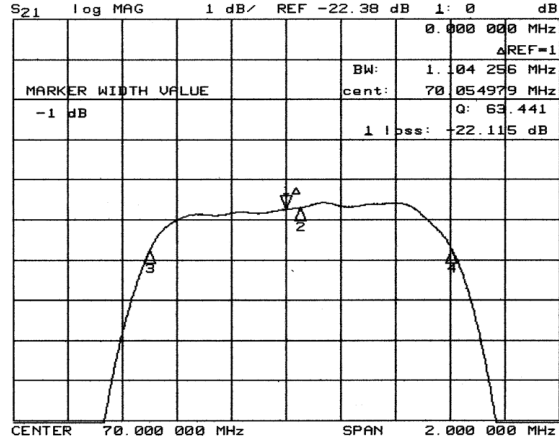
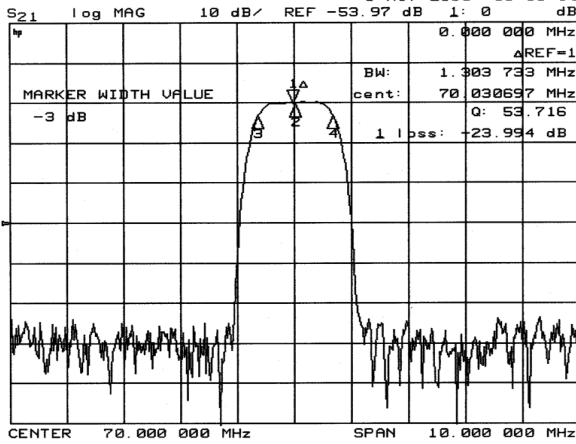


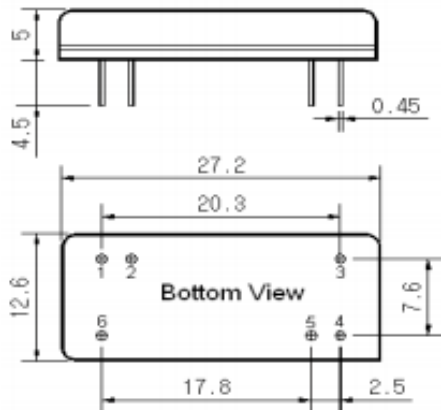
### Typical Performance



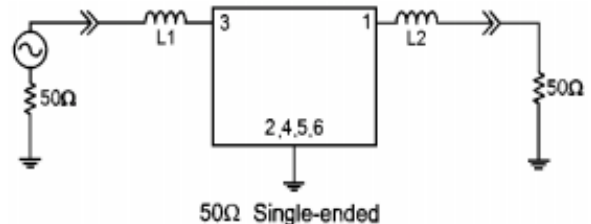
### Specification

Index	Unit	Min	Typical	Max
Center Frequency	MHz	69.92	70	70.08
Insertion Loss	dB	-	23.5	25.5
1 dB Bandwidth	MHz	0.95	1.07	-
3 dB Bandwidth	MHz	1.2	1.28	-
40 dB Bandwidth	MHz	-	2.07	2.15
Passband Ripple	dB	-	0.45	1
Group Delay Variation	nsec	-	70	150
Absolute Delay	µsec	-	3.21	-
Ultimate Attenuation	dB	48	53	-
Substrate Material		Quartz		
Temperature Coefficient	ppm/°C	-0.03		
Package	mm	-		

### Package Dimension



### Matching Configuration



$L1 = 180 \text{ nH}$ ,  $L2 = 180 \text{ nH}$   
 Source / Load Impedance = 50Ω  
 Ambient Temperature = 25°C